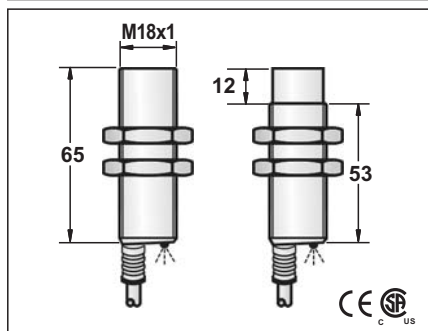


AC/DC LONG SENSING DISTANCE PROXIMITY SWITCH

M 18	
12 mm	20 mm
nickel plated brass	

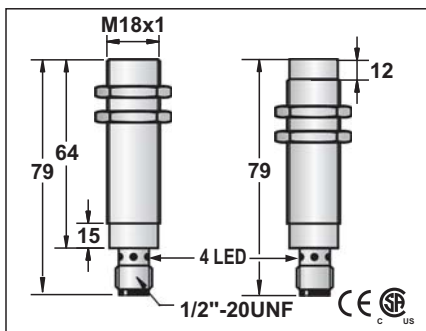


20-250VAC/DC	
<10%	
<10mA	
200mA	
<0.05mA	
-	
-	
<2V	
300HZ	100HZ
0.5ms/0.5ms	1ms/1ms
<15%(Sr)	
<2.0%(Sr)	
IP67	
-25 °C - +70 °C	
<10%(Sr)	
YES	
220mA	
<10ms	
RFI>3V/m / EFT>1KV / ESD>4KV (contact)	
IEC 60947-5-2,Part 7.4.1 / IEC 60947-5-2,Part 7.4.2	
PBT	

LCM1-1812U-A2L2	11	LCM2-1820U-A2L2
LCM1-1812U-B2L2	12	LCM2-1820U-B2L2

5.0 φ44x0.1	
Approx.132 g	Approx.134 g

M 18	
12 mm	20 mm
nickel plated brass	

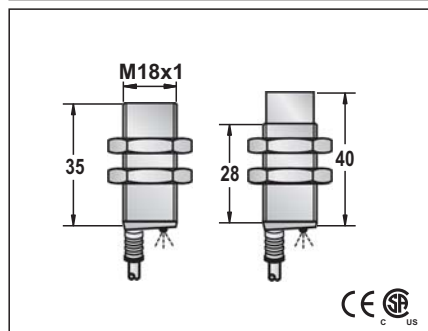


20-250VAC/DC	
<10%	
<10mA	
200mA	
<0.05mA	
-	
-	
<2V	
300HZ	100HZ
0.5ms/0.5ms	1ms/1ms
<15%(Sr)	
<2.0%(Sr)	
IP67	
-25 °C - +70 °C	
<10%(Sr)	
YES	
220mA	
<10ms	
RFI>3V/m / EFT>1KV / ESD>4KV (contact)	
IEC 60947-5-2,Part 7.4.1 / IEC 60947-5-2,Part 7.4.2	
PBT	

LCM1-1812U-AUL3	56	LCM2-1820U-AUL3
LCM1-1812U-BUL3	56	LCM2-1820U-BUL3

5.0 φ44x0.1	
approx.66g	approx.70g

M18	
12 mm	20 mm
nickel plated brass	



20-250VAC/DC	
<10%	
<10mA	
200mA	
<0.01mA	
-	
-	
<2.0V	
1KHZ	
0.1ms/0.1ms	
<15%(Sr)	
<2.0%(Sr)	
IP67	
-25 °C - +70 °C	
<10%(Sr)	
YES	
220mA	
<10ms	
RFI>3V/m / EFT>1KV / ESD>4KV (contact)	
IEC 60947-5-2,Part 7.4.1 / IEC 60947-5-2,Part 7.4.2	
POM	

LCM1-1812U-A2S2	11	LCM2-1820U-A2S2
LCM1-1812U-B2S2	12	LCM2-1820U-B2S2

5.0 φ44x0.1	
Approx.110 g	Approx.114 g

